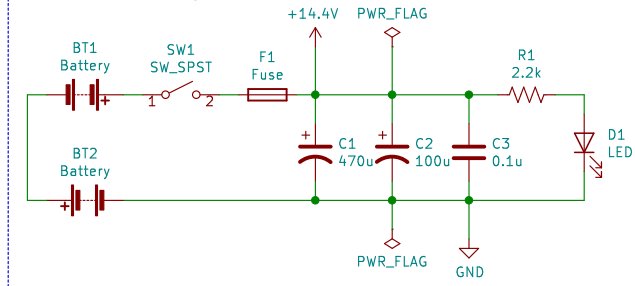
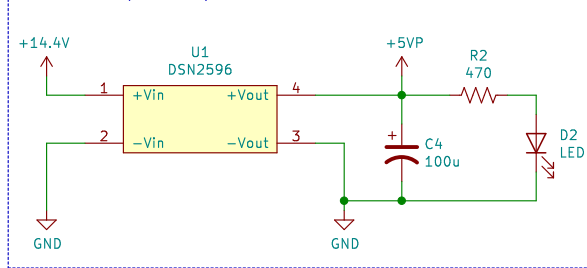


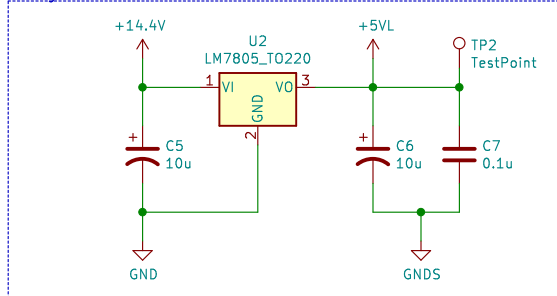
Battery Input and filtering



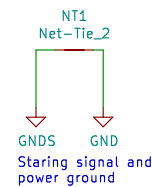
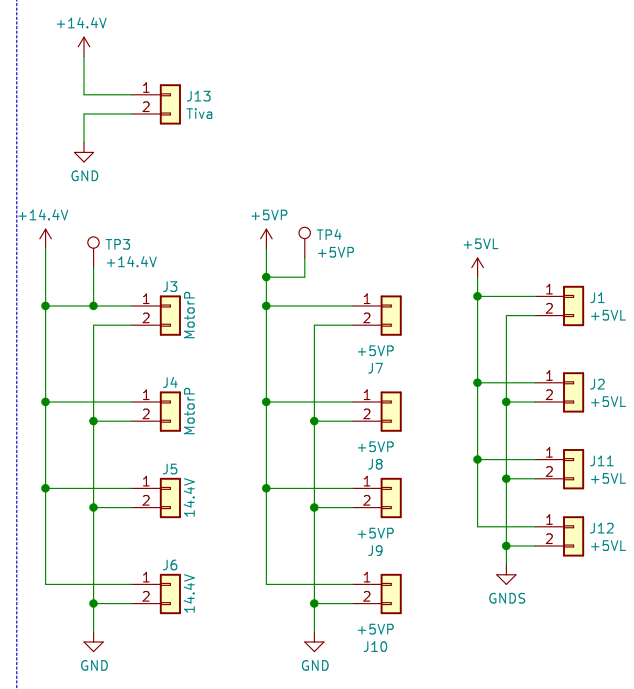
5V Power Buck (for servos)



5V Signal Buck



Connectors



- H1 MountingHole
- H2 MountingHole
- H3 MountingHole
- H4 MountingHole

- TP1 GND
- GND
- TP5 GND
- GND

Drawn By: R. Merchant
ME2188_Smart Product Applications

Sheet: /
 File: Power_Distribution.sch

Title: Power Distribution

Size: USLetter Date:
 KiCad E.D.A. kicad (5.0.1)-4

Rev:
 Id: 1/1