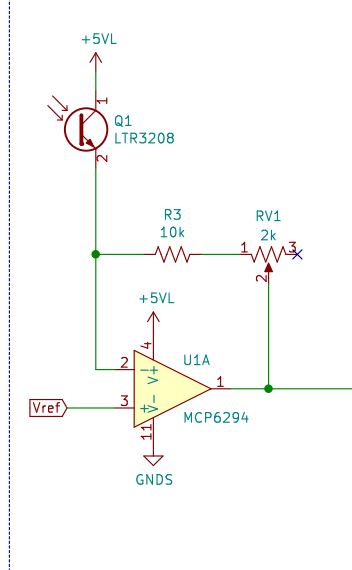
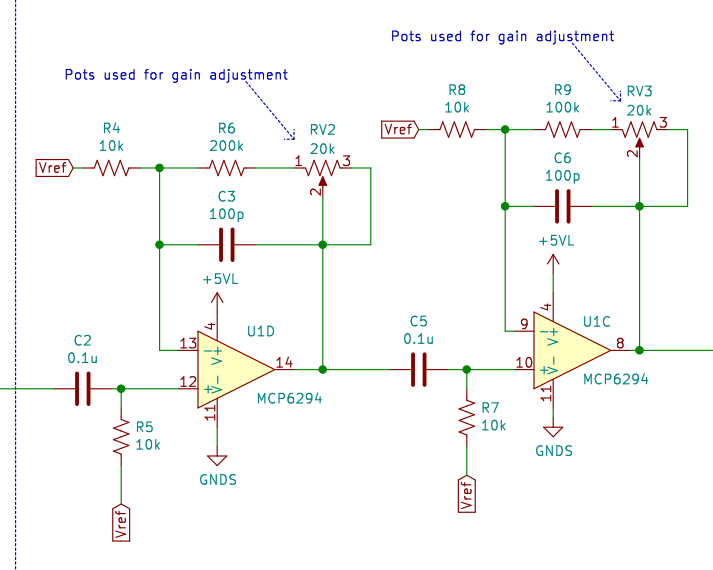


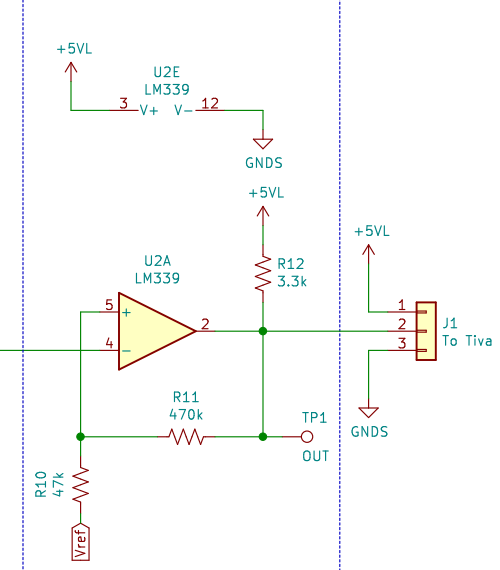
Tranresistive Stage (adjustable)



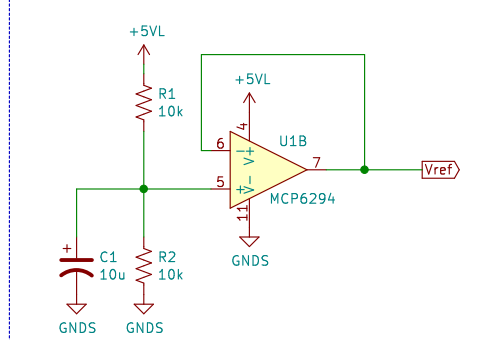
Adjustable Gain Stages (AC coupling between)



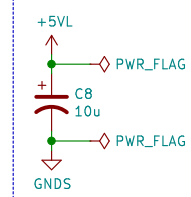
Inverting Comparator Stage



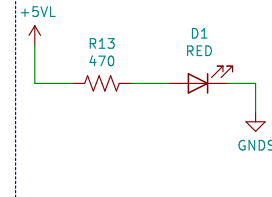
Unity Gain Buffer for Vref



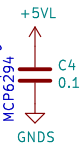
Power Filtering



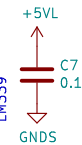
Power indicator



Decoupling for MCP6294



Decoupling for LM339



- H1 MountingHole
- H2 MountingHole
- H3 MountingHole

Drawn by: R. Merchant
ME 218B: Smart Product Applications
 Sheet: /
 File: IR_Detection_Board.sch
Title: IR Beacon Detection Board
 Size: USLetter Date:
 KiCad E.D.A. kicad (5.0.1)-4
Rev: 2
 Id: 1/1